



Electronic door lock systems

Access to success

Skopei believes that happiness is synonymous with freedom. Freedom for organizations and users to navigate a clean and sustainable world by sharing office spaces and workstations.

To achieve this, Skopei offers an all-in-one solution comprising smart hardware and software, enabling keyless management and rental of office spaces. Flexible, efficient, and cost-effective!

With our solution, property managers, landlords, and facility managers are entirely free to determine how they utilize their office spaces. This saves time on administrative tasks and ensures greater efficiency.

Advantages of Skopei Access control

- ✓ Cloud-based software, hosted in the EU
- ✓ Access via tag, smartphone, or server
- ✓ Plug-and-play installation in just 10 minutes
- ✓ Over-the-air updates, seamlessly integrated
- ✓ Extremely low battery consumption
- ✓ Real-time data and information
- ✓ 24/7 access to management environment
- ✓ SKG *** certified



Choose Topology or your own managementsystem

At Skopei, we believe in flexibility and freedom of choice. That's why you get to choose the access control system that suits you best. With our API integration, you can easily control our locks and customize your access management effortlessly.

In order to make your experience as easy as possible, Skopei offers a complete access-control system through its Topology label. With this, you can not only manage access rules, users and locks, but also use all associated facilities such as room reservation, mobility and more.

If you like to use Skopei's advanced lock technology, but wish to use your own access-control system, Skopei Connect offers the solution. An easy to implement RestAPI. It allows you to easily integrate our locks into your software system.

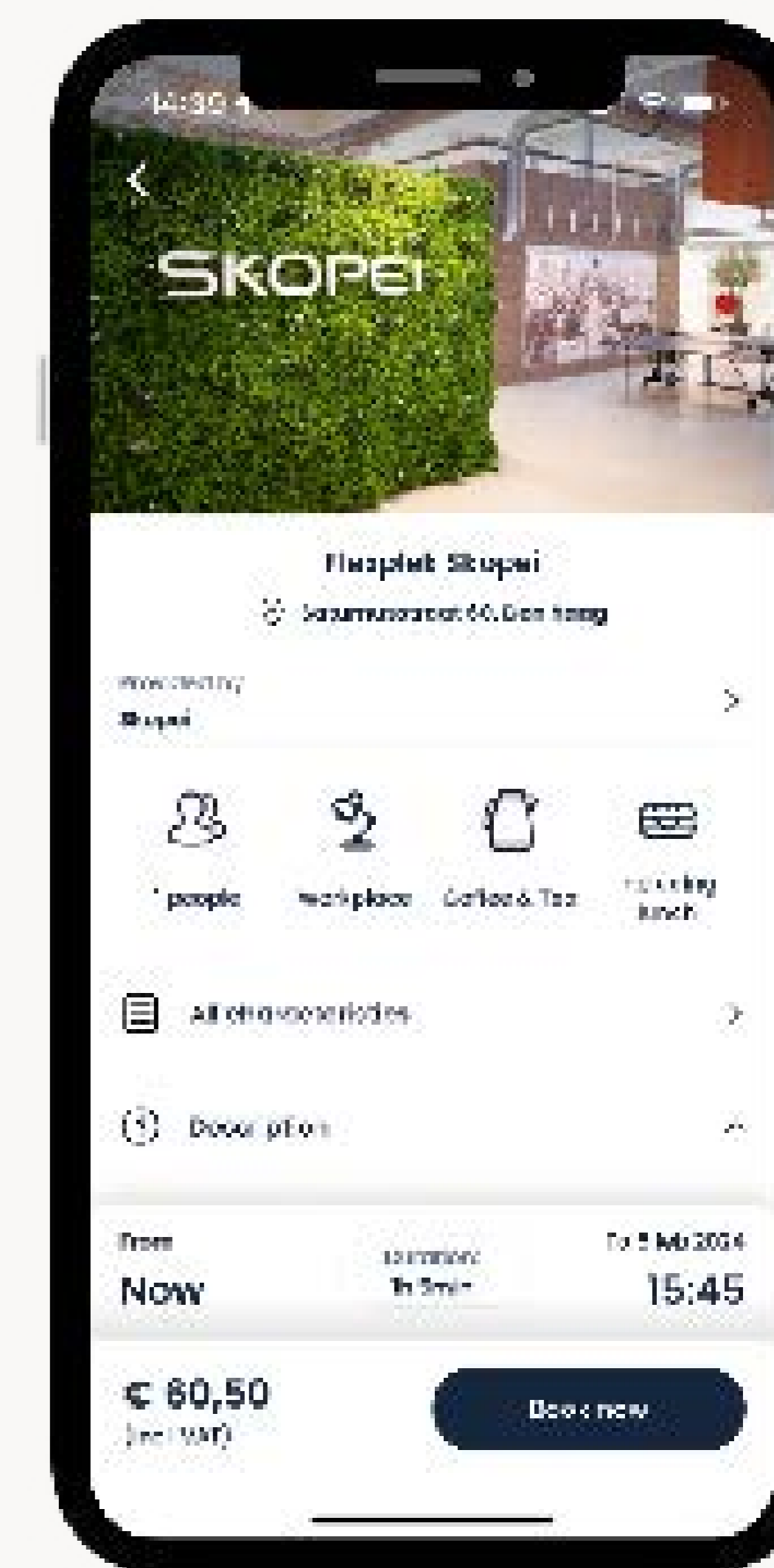
Topology

Access management

With Topology, access management is easier than ever. Combine users, time profiles and locks in the access rules, and your users are instantly active. Because we understand that access management can be complex and difficult to verify, we offer tips and tricks through our smart user interface.

Insights and analysis

Nothing is more important than knowing who accessed your premises and when. Our door locks are always equipped with a real-time data link to the Topology platform, giving you 24/7 insight into user activity and lock status information.



Topology App

The Topology mobile app, compatible with both iOS and Android devices, serves as a versatile tool for managing access effortlessly. Featuring Mobile Access functionality, every user gains instant visibility into accessible doors and rooms. With a single swipe, doors can be seamlessly opened, offering unparalleled convenience. Moreover, Skopei locks seamlessly function offline with the Topology system, ensuring uninterrupted access to your spaces at all times.

Simplified management

Gain access to your access control system anytime, anywhere with the Topology Admin Cloud, accessible on your smartphone, tablet, or PC. Utilising straightforward access rules, you can grant access to doors and rooms using one or multiple access media effortlessly.

User-centric approach

Unlike conventional access control systems, Topology offers a fresh perspective on access management. Here, the access medium is not tied to a single user but allows multiple media to be associated with one user. This enables parallel access via Bluetooth, RFID tag, NFC, or server command. Not only does this provide immense convenience for users, but it also eliminates the need for distributing RFID tags.

Topology Admin Cloud

Time models and access profiles

To facilitate swift allocation of access rights, predefined standard time models have been set up. Complex access requirements are met through a combination of time models and access profiles.

Automated blocking periods

When necessary, a blocking period can be set up to automatically activate and deactivate. In the case of doors in designated zones, this feature blocks access for all during specified times

Automated free access periods

With programmable free access periods, doors can be automatically opened to everyone. The switch back to locked mode also occurs automatically and based on set times.

Office-function

Ensuring smooth operations throughout the workday, doors can be equipped with the office function. An authorised individual can activate the office function upon opening the door. The door remains open and accessible to everyone until it is actively closed again or until the set time has elapsed.

User- and door categories

To facilitate smooth and rapid organisation, individuals can be grouped together, and doors can also be grouped accordingly. This allows access rights to be easily granted to groups rather than to individual persons, simplifying the administration of your locking system.

- ✓ Multiple admins
- ✓ Mixed access media
- ✓ User- centric approach, not the access medium
- ✓ Real-time visibility into activities and status
- ✓ Cloud-hosted in the EU (Microsoft Azure)
- ✓ Unlimited number of users and locks in one system
- ✓ Simple wizard for adding access rules
- ✓ Combine with other Topology modules

Customised approach for every door

Skopei's new product line has been developed in collaboration with Carl Eduard Schulte (abbreviated as CES), a renowned lock manufacturer from the lock city of Germany, Velbert. CES has been in existence for over 150 years and produces the mechanical components of the electronic Skopei locks.

Attractive design

Smart locks have never looked better. Constructed from an aluminum housing, featuring stainless steel or painted finishes. Design where form and function come together.

State-of-the-art technologie

Skopei does not compromise on design or substance. That is why we bring together our extensive expertise in IoT and security in our products. Developed based on the Skopei Hardware Platform, ensuring lightning-fast communication combined with low energy consumption.



Electronic handle set

Our hardware is available for both interior and exterior use. To ensure that the lock fits every door, we offer the electronic hardware in a broad, long and short plate version.



Electronic cylinder

With the electronic cylinder it is easy to unlock both day and night locks. That is why this cylinder is so popular with our customers. The battery is easily replaced via the outside knob. The cylinder is available in many length variations.



Wall terminal

For applications where sliding or revolving doors need to be unlocked, the wall terminal can provide a solution. The wall terminal operates on batteries and therefore does not need to be wired. This makes this terminal extremely easy to install.

Electronic handle set

Skopei's electronic handles are slim yet powerful! Each lock is always connected to the Cloud through the implementation of Skopei's Thread Technology. An access rule is therefore not stored locally on the lock, but always verified in real-time in the cloud. This ensures that there is no delay between setting access rules and their execution. Additionally, you benefit from a real-time activity log.



Available in stainless steel and black edition



With and without keyhole

Material

The cover plate and handle are made of stainless steel. The reading unit is manufactured from high-quality plastic.

Available in stainless steel and black edition

By default, the electronic handles are supplied in stainless steel. Optionally, you can have the locks finished in black.

Installation

Simple installation, no drilling required. The electronic handles fit on existing doors, and the mounting slots offer flexibility in adjusting the door. Available with and without keyhole.

Suitable for indoor and outdoor use

The electronic handles are housed in a waterproof casing. This allows you to install our locks anywhere inside or outside your building.

Variations



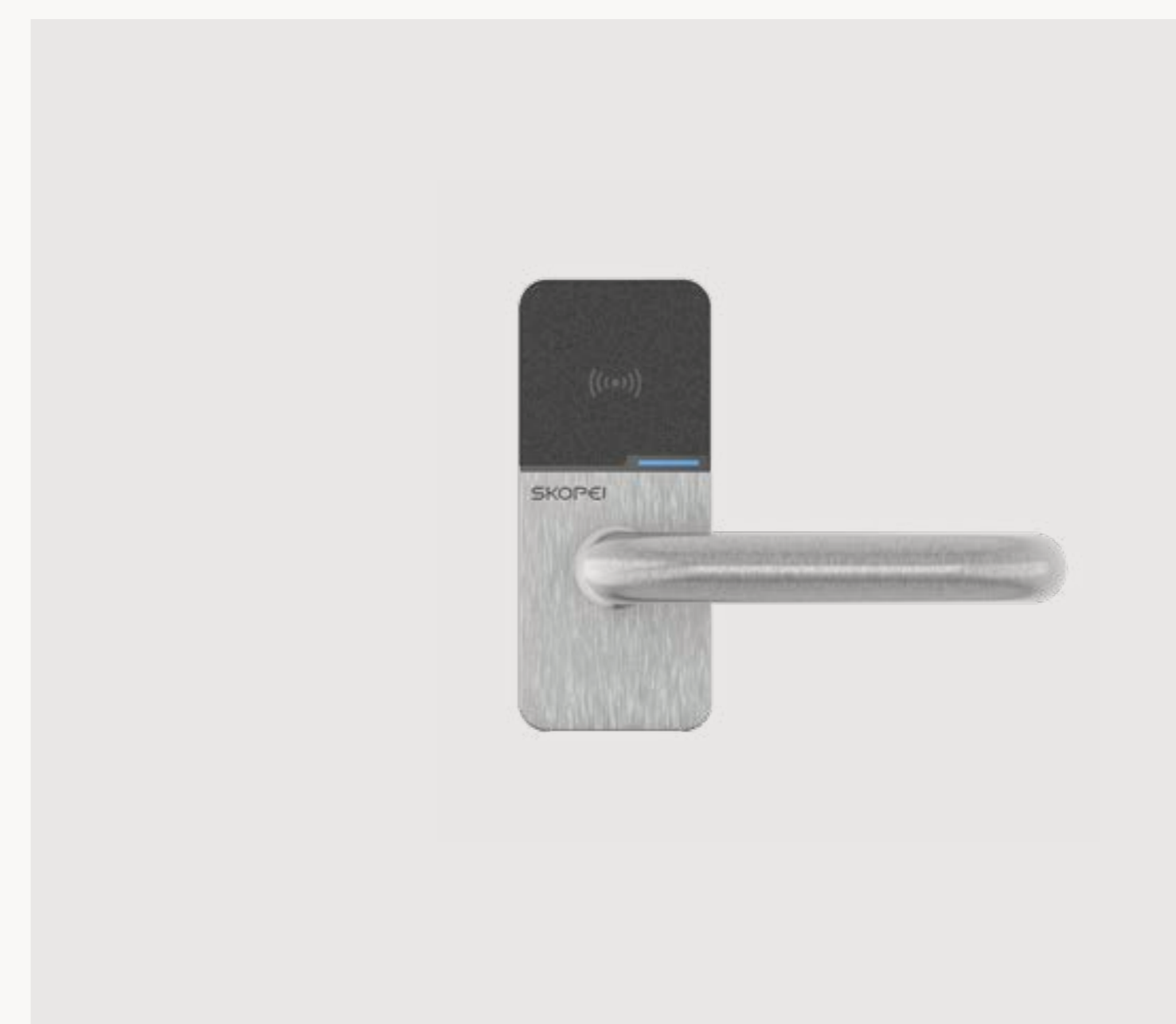
Narrow long shield

In case the door is not suitable for the wide-shield hardware, we offer a narrow-shield variant. This variant is ideally suited for use on doors where an anti-intrusion strip is installed.



Wide long shield

This hardware mounts easily on the majority of doors. Since the hardware has special mounting slots, it is often possible to use the existing holes in your door. This saves installation time.



Compact shield

The variant ideally suited for use on glass doors. Our smallest variant with no compromise on quality.

Electronic Cylinder

Skopei electronic cylinders are available in many variants. Offering a solution for every door. The battery is located in the outside knob, making it quick and easy to replace.



Material

The outside knob is standard in stainless steel. The reading unit is made of high quality plastic. The RFID/NFC reader is also located in the button.

Available in stainless steel and black edition

By default, the electronic hardware comes in the stainless steel version. Optionally, you can have the locks finished in black.

Installation

The cylinders are available in many length sizes. The design is also designed such that no wiring is required during installation. All communication goes through the core of the lock.

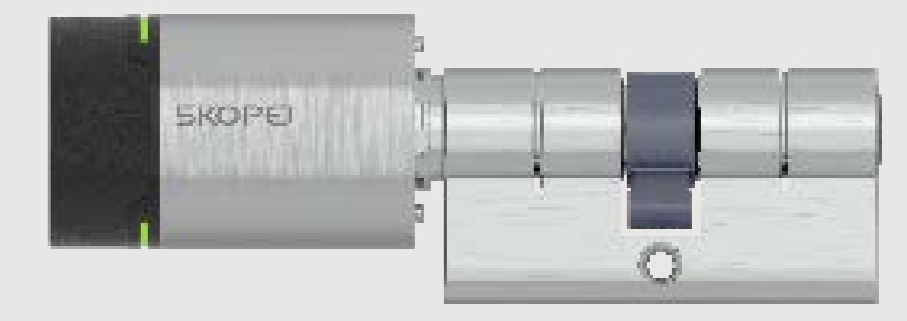
Suitable for indoor and outdoor use

The electronic cylinders come in a waterproof housing. This allows you to install our locks anywhere in and around your building.

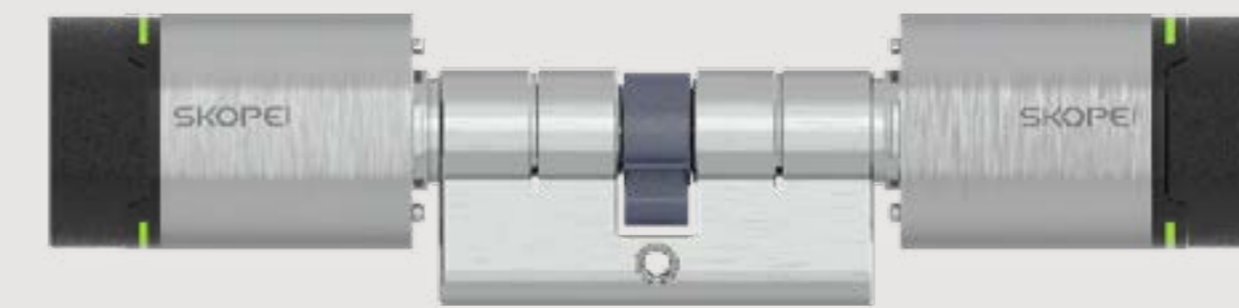
Variations



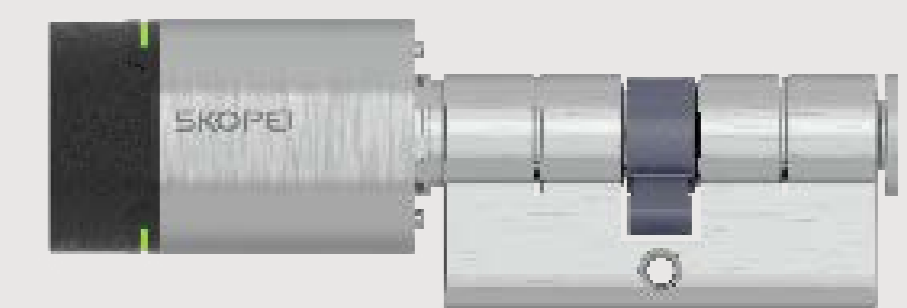
Half cylinder



Half cylinder with mechanic locking side



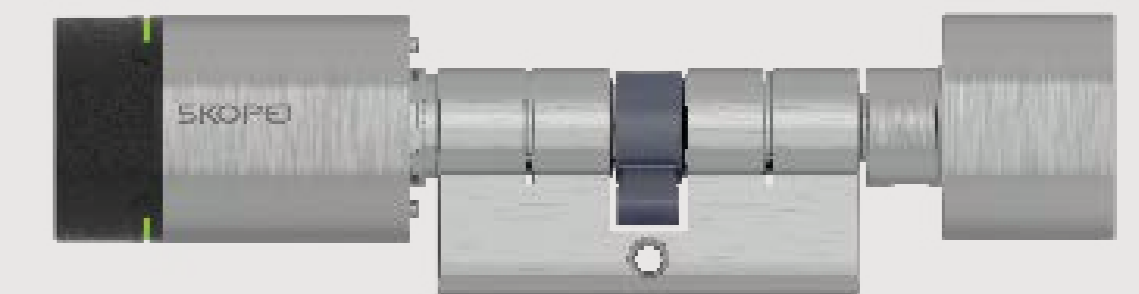
Dual controlled cylinder



Dummy cylinder



Locker cylinder



Double knob cylinder

Wireless wall terminal

The wall terminal uses Skopei's Thread Network. As a result, the wall terminal can be called more than "smart." The wall terminal is in contact with the switch unit. When used, the wall terminal will send a signal to the switching unit, which will then send a pulse.



Advantages of the wall terminal

- ✓ No wiring required to the wall terminal
- ✓ Fast communication to switch unit
- ✓ Can be activated via Bluetooth, RFID/NFC tag or via backend
- ✓ Can be linked to Topology access control
- ✓ Switch unit also functions as a range extender for the Skopei Thread Network



Locking media

In addition to smartphones equipped with the Topology iOS or Android app, RFID media can also be used.

Because the user is prioritised by Topology, you are able to link multiple locking media to one user. This provides users with flexibility and ease of use.

Available locking media include

- ✓ Skopei Tag (fully-encrypted)
- ✓ Key-card in ISO format
- ✓ Keychain
- ✓ Own company card/token (as ID)

Material

The wall terminal and switching unit are standardly made of stainless steel. The reading unit is manufactured from high-quality plastic. The RFID/NFC reader is also integrated into the knob.

Available in stainless steel and black edition

By default, the electronic hardware comes in the stainless steel version. Optionally, you can have the locks finished in black.

Installation

As the wall terminal is battery-powered, a fixed power connection is not required. As well as that communication is via the Skopei Thread Network, so no wiring is required.

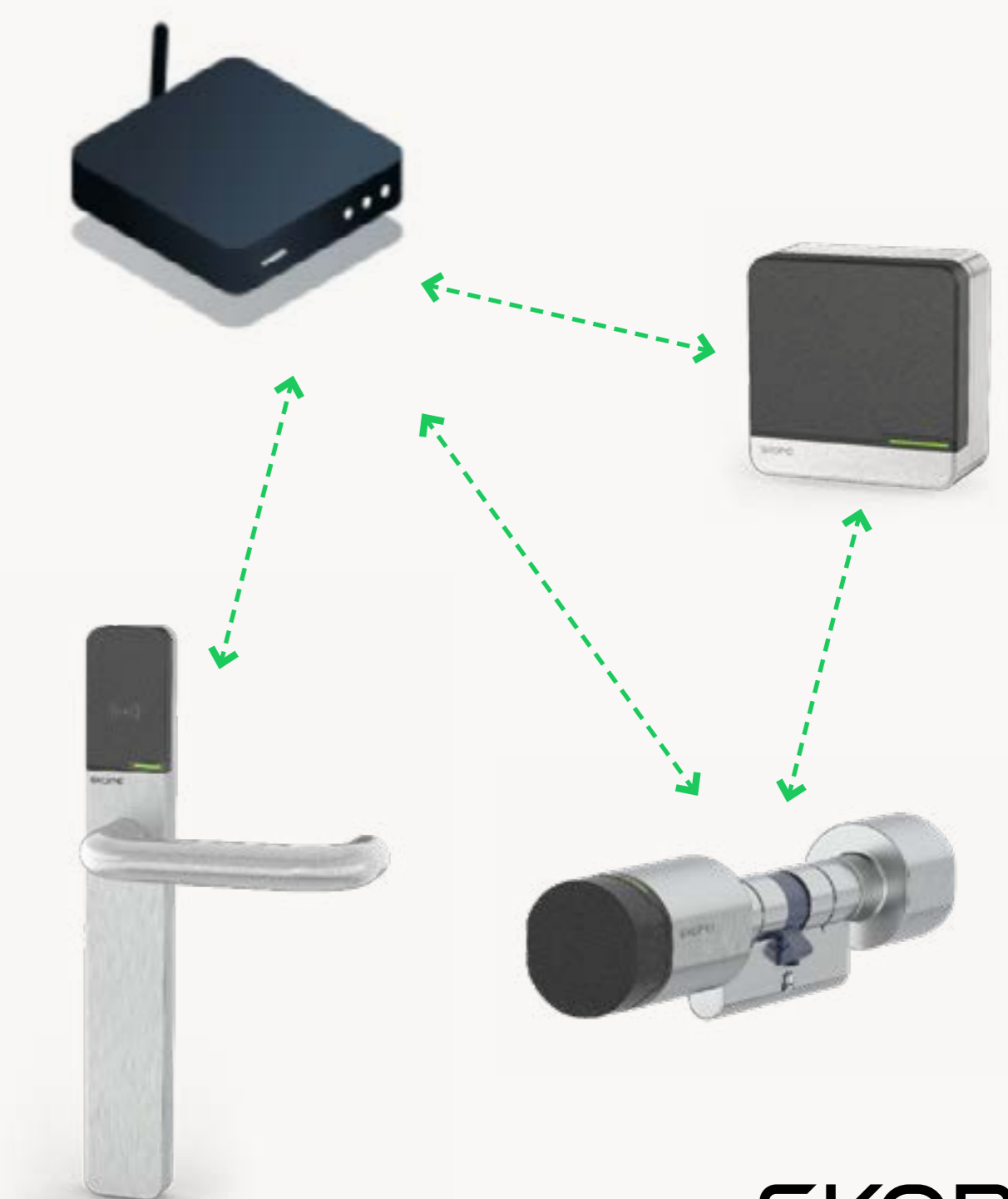
Suitable for indoor and outdoor use

The wall terminals come in a waterproof housing. This allows you to use the wall terminal and switching unit anywhere.

Skopei Thread Network

The power of Skopei products lies in the Skopei Thread Network, an advanced network through which all Skopei products communicate. Because the network is fully encrypted, it provides excellent capabilities for access control.

Certain products within the network, such as the switch unit, serve as range extenders. With just a few border routers, you can build a comprehensive network through which the locks communicate.



SKOPEI

SKOPEI

Skopei B.V.
Satunursstraat 60 u 17
2516AH Den Haag
+31 85 00 464 00
info@skopei.com

www.skopei.com