



## Specifications

Electronic  
door lock systems



# Key features

The developed hardware in collaboration with Carl Eduard Schulte (CES for short) provides organisations with essential functionalities for managing electronic access locks and spaces, enabling them to achieve a high level of security and efficiency. Whatever solution you choose, our products are developed according to the highest quality standards.





# Electronic door lock systems



Electronic handle set

**Battery**

2x 1,5 V AA battery  
upto 24 months  
upto 100.000 operations

**Connection**

Bluetooth connectivity

**Unlocking method**

NFC-tag (RFID)



Electronic cylinder

**Battery**

9000 mAh, Li-iON battery  
upto 24 months  
upto 40.000 operations

**Connection**

Bluetooth connectivity

**Unlocking method**

Bluetooth  
NFC-tag (RFID)



Wireless wall terminal

**Battery**

9000 mAh, Li-iON battery  
upto 12 months

**Connection**

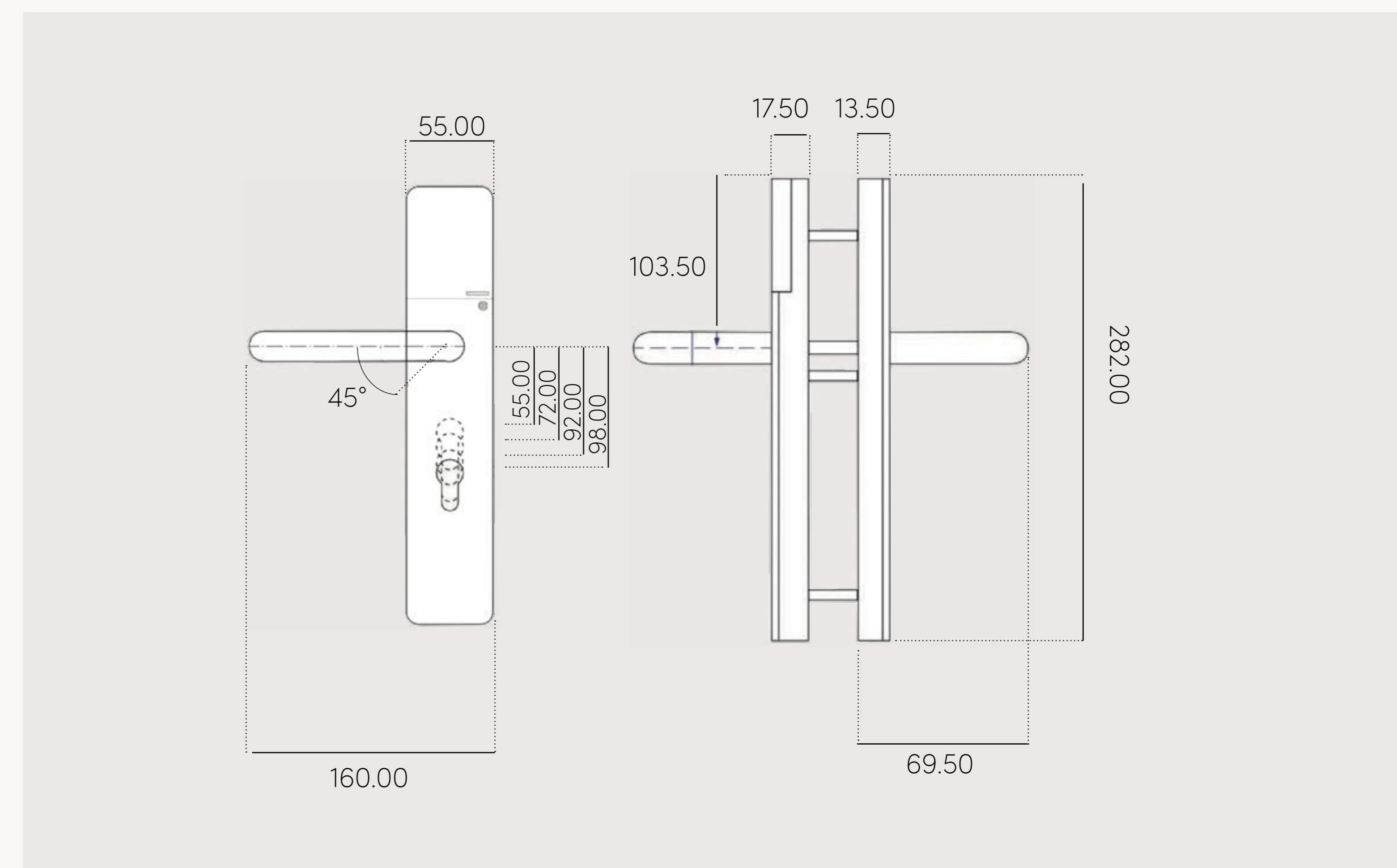
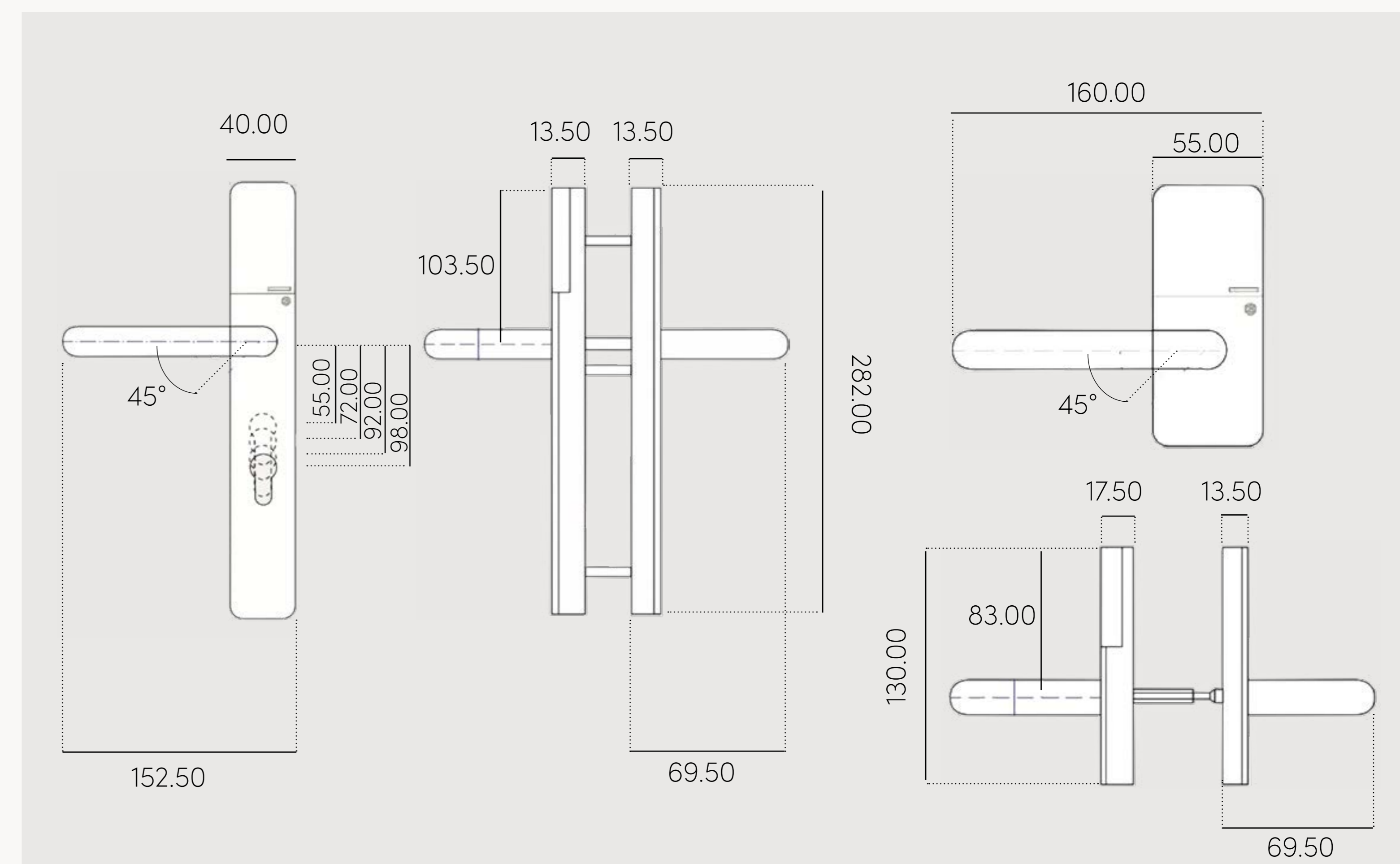
Skopei network  
Bluetooth connectivity

**Unlocking method**

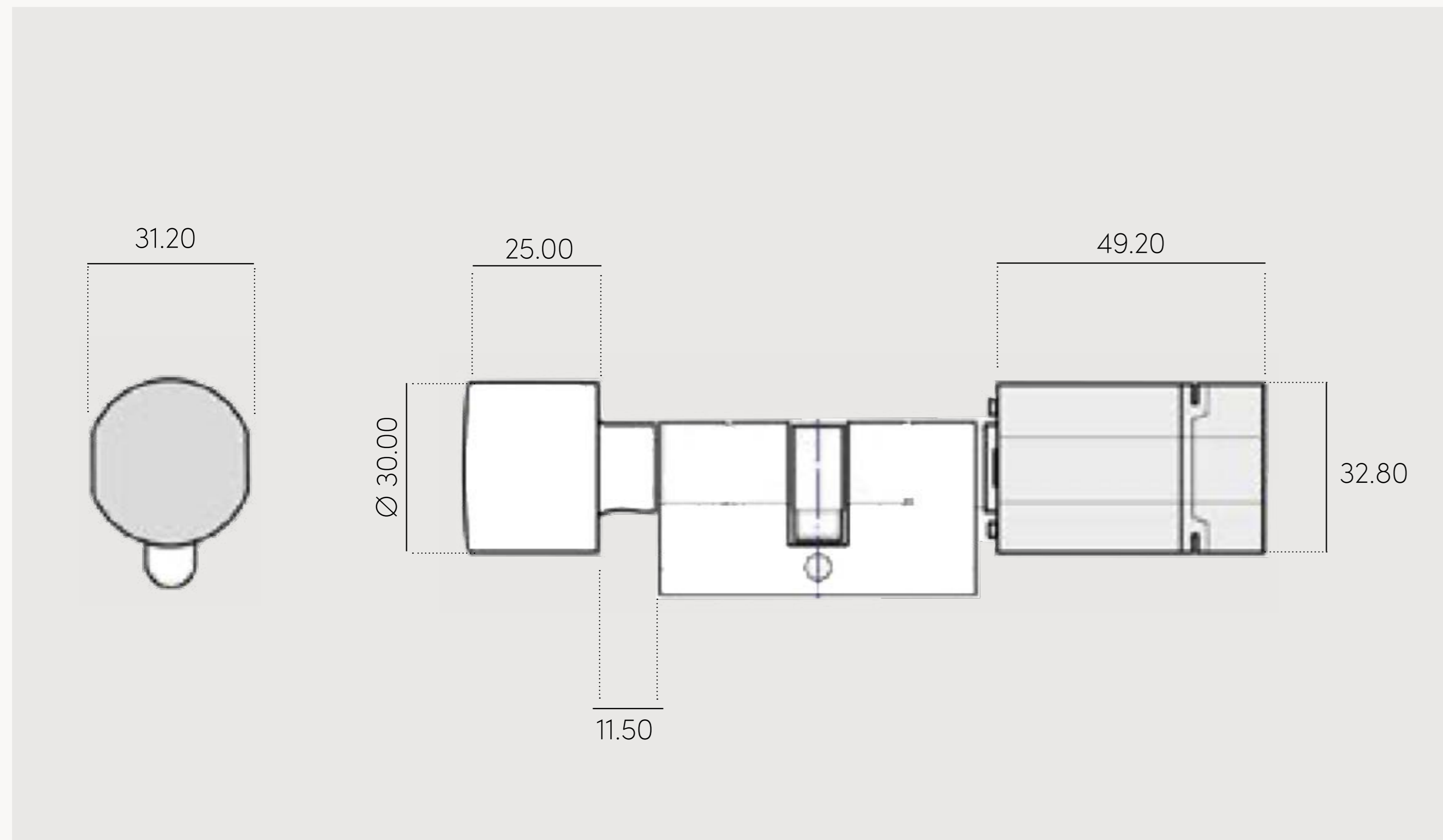
Bluetooth  
NFC-tag (RFID)  
Keycard

## Dimensions

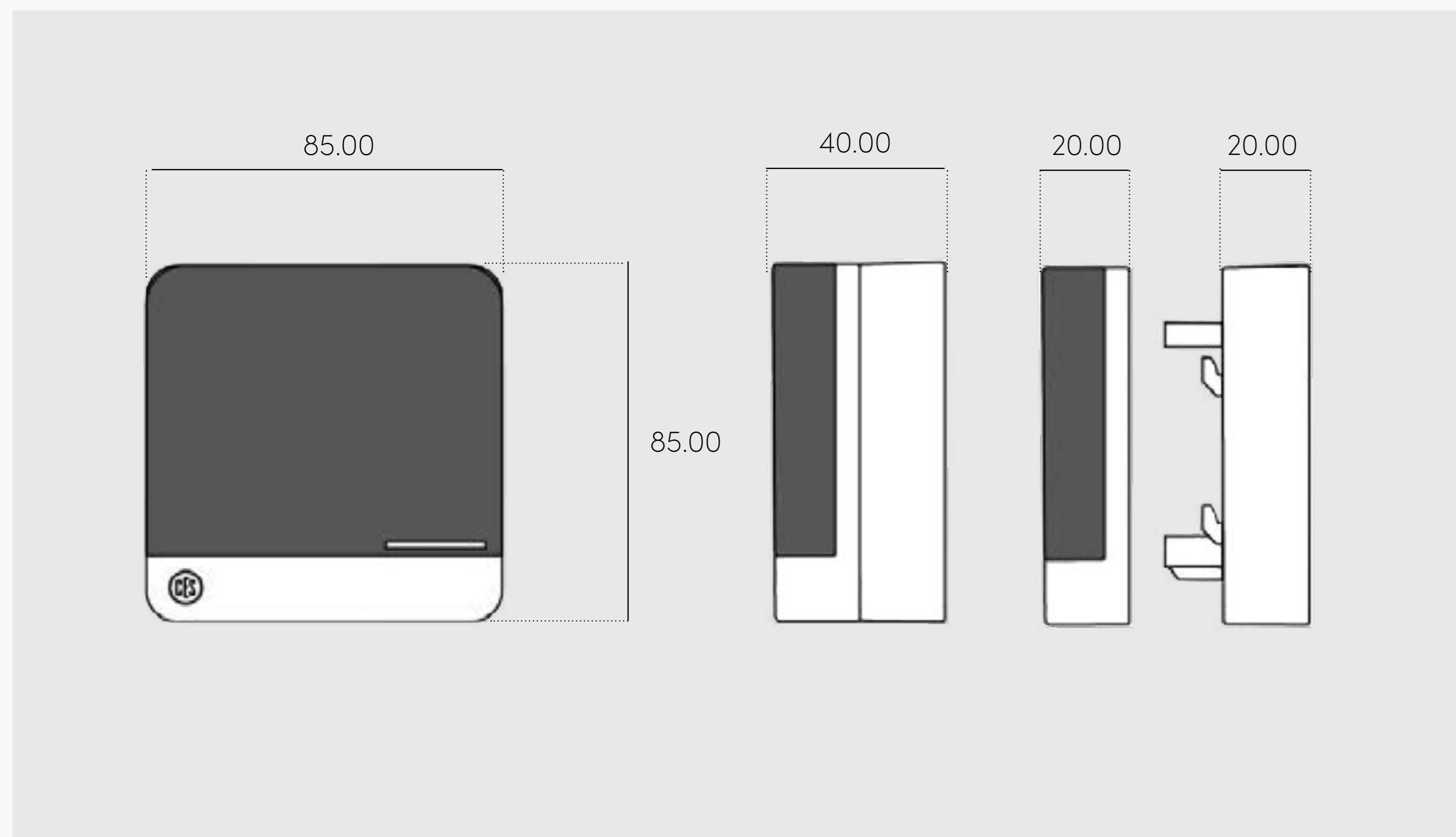
### Electronic handle set



## Electronic cylinder



## Wireless wall terminal



### Maintenance

Use the product mounted on the door using the mounting holes

### Environmental-impact

Limitation of hazardous substances in accordance with the European RoHS directive

Recyclable packaging

### Manufacturing

Product is manufactured in Germany

Quality control in the Netherlands

Assessed and compliant with EU safety standards

### Warranty

12 months warranty on the product

### Delivery

Delivered in cardboard box or on pallet

**SKOPEI**

Skopei B.V.  
Satunursstraat 60 u 17  
2516AH Den Haag

+31 85 00 464 00  
info@skopei.com

[www.skopei.com](http://www.skopei.com)